

Deck valve anti-clockwise closing cold - Brushed Platinum


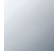

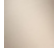


CL.1

20 004 716

- hole diameter 32 mm
- rosette 60 x 47 mm
- with cold marking

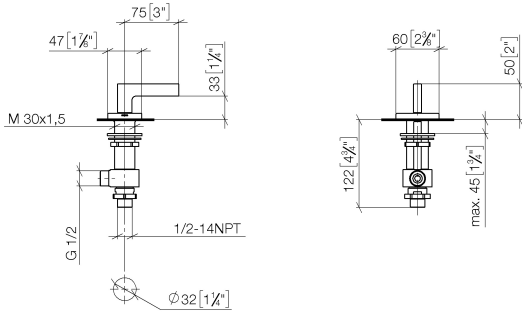


Fits: CL.1, CYO

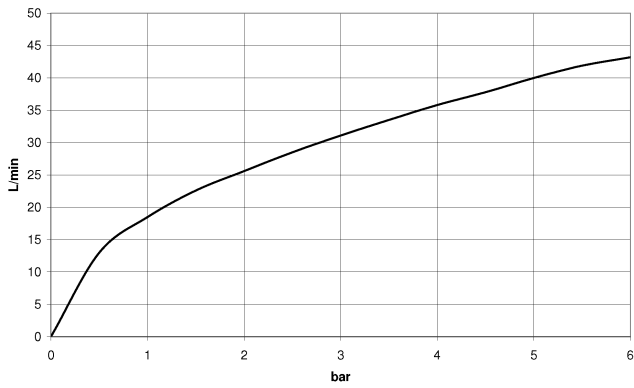
|   |                                |               |
|---|--------------------------------|---------------|
|  | Brushed Platinum               | 20 004 716-06 |
|  | Chrome                         | 20 004 716-00 |
|  | Brushed Durabronze (23kt Gold) | 20 004 716-28 |
|  | Brushed Champagne (22kt Gold)  | 20 004 716-46 |
|  | Champagne (22kt Gold)          | 20 004 716-47 |
|  | Brushed Dark Platinum          | 20 004 716-99 |

20 004 716

mm [inches]



Flow rate chart

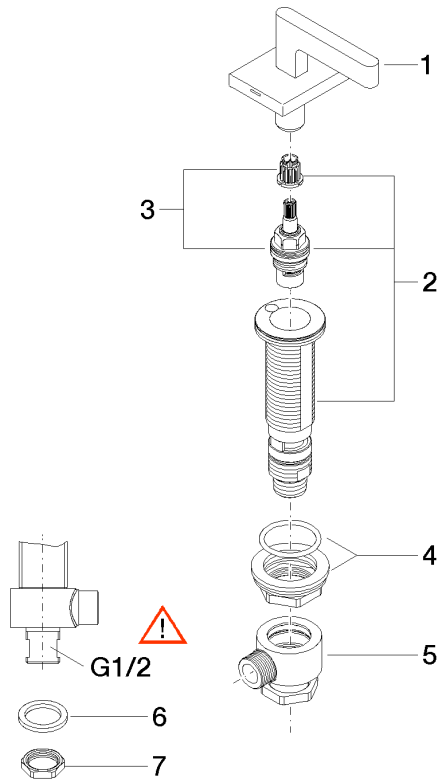


Certificates

IAPMO\_4976 (5). IAPMO\_N-4976. LGA\_28687. IAPMO\_6397.

20 004 716

Parts for other finishes can be found here: [Chrome](#)



### Spare parts list

| No. | Item Number        | Name            | Quantity used | Delivery time |
|-----|--------------------|-----------------|---------------|---------------|
| 1   | 90 20 70 057 03-06 | handle ( cold ) | 1             | 10            |
| 2   | 04 17 11 058 52 90 | side panel      | 1             | 2             |
| 3   | 90 90 03 152 00 90 | top             | 1             | 2             |
| 4   | 04 23 10 032 78 90 | fixing set      | 1             | 2             |
| 5   | 04 17 11 023 10 90 | distributor     | 1             | 2             |
| 6   | 09 30 11 059 90    | disc            | 1             | 2             |
| 7   | 09 23 10 012 90    | nut             | 1             | 2             |